

# PORTABLE INLINE INDUCTOR

## MODEL - IE225 AND IE450



### TECHNICAL DATA :

MODEL	STAINLESS STEEL MODEL IE225-7S, IE225-12S, IE450-7S & IE450-12S BRONZE MODEL IE225-7B, IE225-12B, IE450-7B & IE450-12B
SIZE	65 NB
WORKING PRESSURE	7 TO 12 KG/CM2 (100 TO 175 PSI)
CONNECTION	2-1/2 INCH MALE INSTANTANEOUS COUPLING AT INLET 2-1/2 INCH FEMALE INSTANTANEOUS COUPLING AT OUTLET (AS PER BS:336 AND IS:903)
FINISH	YELLOW FINISH
APPROVAL	FM APPROVED WITH AFFF-3% & AR AFFF 3X3%
ORDERING INFORMATION	MODEL NO & PRESSURE

### DESCRIPTION

HD make hand held/portable inductors series IE225 and IE450 are designed primarily for use in the manual firefighting operation to provide a simple and reliable method of proportioning in constant flow applications. Each Inductor is designed for a pre-determined water pressure to give the correct proportioning at that pressure and discharge rate. Inductor are preset at flow and pressure as specified in Table-I.

The increase or decrease of the inlet pressure will result in an increase or decrease in the flow rate, which in turn will change the proportioning.

TABLE - I

Model	Inlet pressure kg/sqcm	Flow LPM	Matching Branch Pine
IE225-7B IE225-7S	7	225	BP225-4.2
IE225-12B IE225-12S	12	225	BP225-7
* IE450-7B * IE450-7S	7	450	BP450-4.2
IE450-12B IE450-12S	12	450	BP450-7

\* IE450-7B/7S Is FM Approved with AFFF only

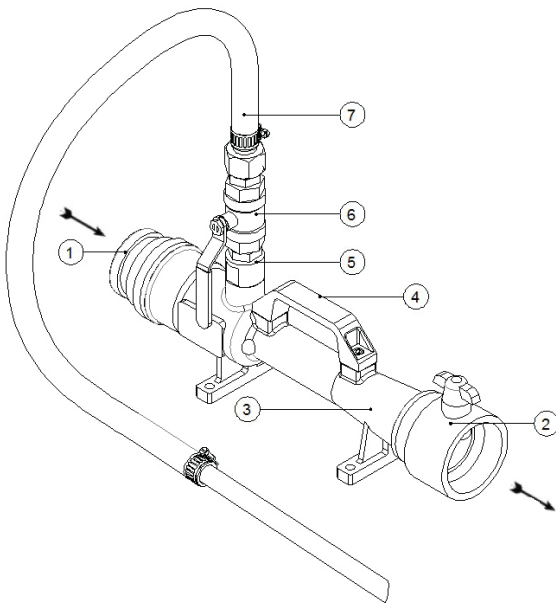


### SPECIFICATION

The material of construction of the inductor is corrosion resistant Stainless Steel or bronze. The inductors have instantaneous couplings at inlet and outlet for easy and fast deployment in the field. A rugged handle is provided to relocate the inductor during operation. A clear transparent helix wire braided pickup tube of 1.5 meters long with Stainless steel suction tube is provided.

Inductors IE225 and IE450 are to be used with matching foam branch pipes BP225 and BP450. Improper selection of branch pipe will not give the desired performance. Mismatch of the inductor and branch pipe will lead to either reduced throw or no induction. Refer table for proper matching of the Inductor and Branch pipe, longer length can be used if care is taken to keep the hose in straight length & level between inductor & branch pipe.

It is recommended to use 1 length of 15 meters or 2 length 15 meters of hose of 2-1/2 inch size for coupling to inductor with branch pipe.


**MATERIAL OF CONSTRUCTION**

SR. NO.	DESCRIPTION	MODEL	
		IE225-7B IE225-12B IE450-7B IE450-12B	IE225-7S IE225-12S IE450-7S IE450-12S
1	2-1/2" MALE INST COUPLING	BRONZE	S.S. 304 / S.S. 316
2	2-1/2" MALE INST COUPLING	BRONZE	S.S. 304 / S.S. 316
3	HOUSING	BRONZE	ASTM A351 CF8 / CF8M
4	HANDLE	ELASTOMER	ELASTOMER
5	CONNECTOR (ORIFICE)	S.S. 304 / S.S. 316	S.S. 304 / S.S. 316
6	BALL VALVE	S.S. 304 / S.S. 316	S.S. 304 / S.S. 316
7	HOSE FELXIBLE	PVC WIRE BRAIDED	PVC WIRE BRAIDED

**NOTE:**

- 1) Stainless steel 304(CIF8) is standard supply. Stainless steel 316(CIF8M) is optional supply.
- 2) Pick up tube standard supply is 2 meters long

**LIMITED WARRANTY**

HD FIRE PROTECT PVT. LTD. hereby referred to as HD FIRE warrants to the original purchaser of the fire protection products manufactured by HD FIRE and to any other person to whom such equipment is transferred, that such products will be free from defect in material and workmanship under normal use and care, for two (2) years from the date of shipment by HD FIRE. Products or Components supplied or used by HD FIRE, but manufactured by others, are warranted only to the extent of the manufacturer's warranty. No warranty is given for product or components which have been subject to misuse, improper installation, corrosion, unauthorized repair, alteration or un-maintained. HD FIRE shall not be responsible for system design errors or improper installation or inaccurate or incomplete information supplied by buyer or buyer's representatives. HD FIRE will repair or replace defective material free of charge, which is returned to our factory, transportation charge prepaid, provided after our inspection the material is found to have been defective at the time of initial shipment from our works. HD FIRE shall not be liable for any incidental or consequential loss, damage or expense arising directly or indirectly from the use of the product including damages for injury to person, damages to property and penalties resulting from any products and components manufactured by HD FIRE. HD FIRE shall not be liable for any damages or labour charges or expense in making repair or adjustment to the product. HD FIRE shall not be liable for any damages or charges sustained in the adaptation or use of its engineering data & services. In no event shall HD Fire's product liability exceed an amount equal to the sale price. The foregoing warranty is exclusive and in lieu of all other warranties and representation whether expressed, implied, oral or written, including but not limited to, any implied warranties or merchantability or fitness for a particular purpose. All such other warranties and representations are hereby cancelled.

**NOTICE :**

The equipment presented in this bulletin is to be installed in accordance with the latest publication standards of NFPA or other similar organisations and also with the provision of government codes or ordinances wherever applicable.

The information provided by us is to the best of our knowledge and belief, and consist of general guidelines only. Site handling and installation control is not in our scope. Hence we give no guarantee for result and take no liability for damages, loss or penalties whatsoever, resulting from our suggestion, information, recommendation or damages due to our product.

Product development is a continuous programme of HD FIRE PROTECT PVT. LTD. and hence the right to modify any specification without prior notice is reserved with the company.


**HD FIRE PROTECT PVT. LTD.**  
 Protecting What Matters Most to You

 D-6/2, ROAD NO. 34, WAGLE INDUSTRIAL ESTATE, THANE 400 604, INDIA.  
 • TEL: + (91) 22 2158 2600 • FAX: +(91) 22 2158 2602  
 • EMAIL: info@hdfire.com • WEB: www.hdfire.com